



PART NUMBER

PFR26-115

DESCRIPTION

Rear Trailing Arm Bush

INSTALLATION GUIDE

Contents (parts per pack):

- 2 x Polyurethane A Bushes 1 x PTFE/Silicone Grease
- 2 x Polyurethane B Bushes 2 x Stainless Steel Sleeves

Please read the complete fitting instructions and check package components before fitment. These fitting instructions are to be used as a guide and in conjunction with workshop manual.

It is recommended that:

- all work to be carried out by a licensed technician;
- all safety precautions adhered to;
- wheel alignment to be checked and adjusted as required after any suspension work.
- All fasteners must be tensioned to manufacturer's torque settings.

Fitting Instructions:

1. Remove the trailing arm from the vehicle and press out the original rubber bush, including its outer shell.
2. Clean any dirt and corrosion from the bore of the arm and remove any sharp edges or burrs with a rounded file.
3. Press the larger outer A bush into the arm first, mating the radiused body of the bush against the radiused bore of the arm.
4. Apply some of the supplied grease to the bore of the larger A bush and then press the smaller B bush into the opposing side of the arm as shown in Fig 1.
5. Apply some grease to the bore of the smaller A bush and the body of the machined stainless steel sleeve, and then press in.

NB: When pressing the sleeve into the bush, press on the shoulder of the sleeve and not on the holed flat, ensuring an even pressure is applied

6. Refit the trailing arm to the vehicle and tension all hardware to the manufacturer's recommended torque settings

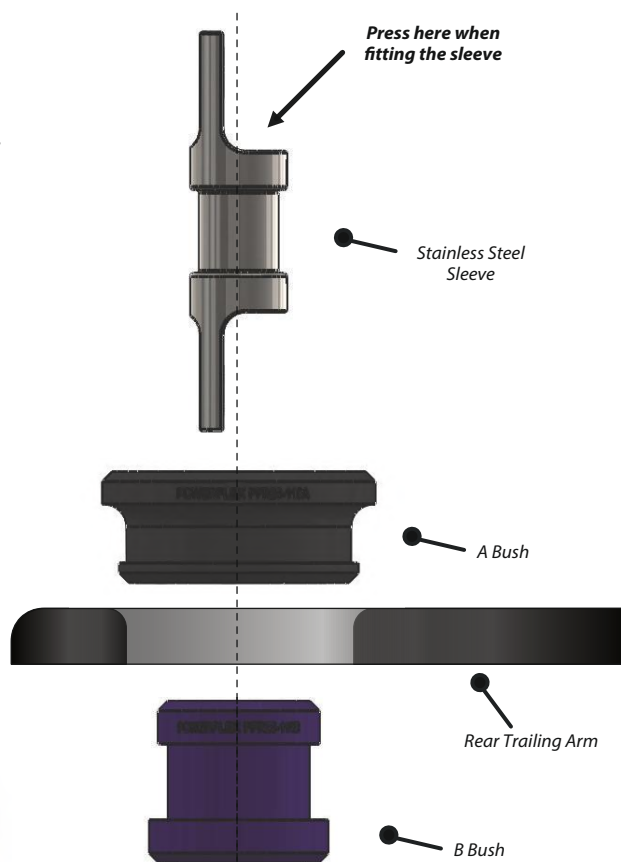


Figure 1



Figure 2